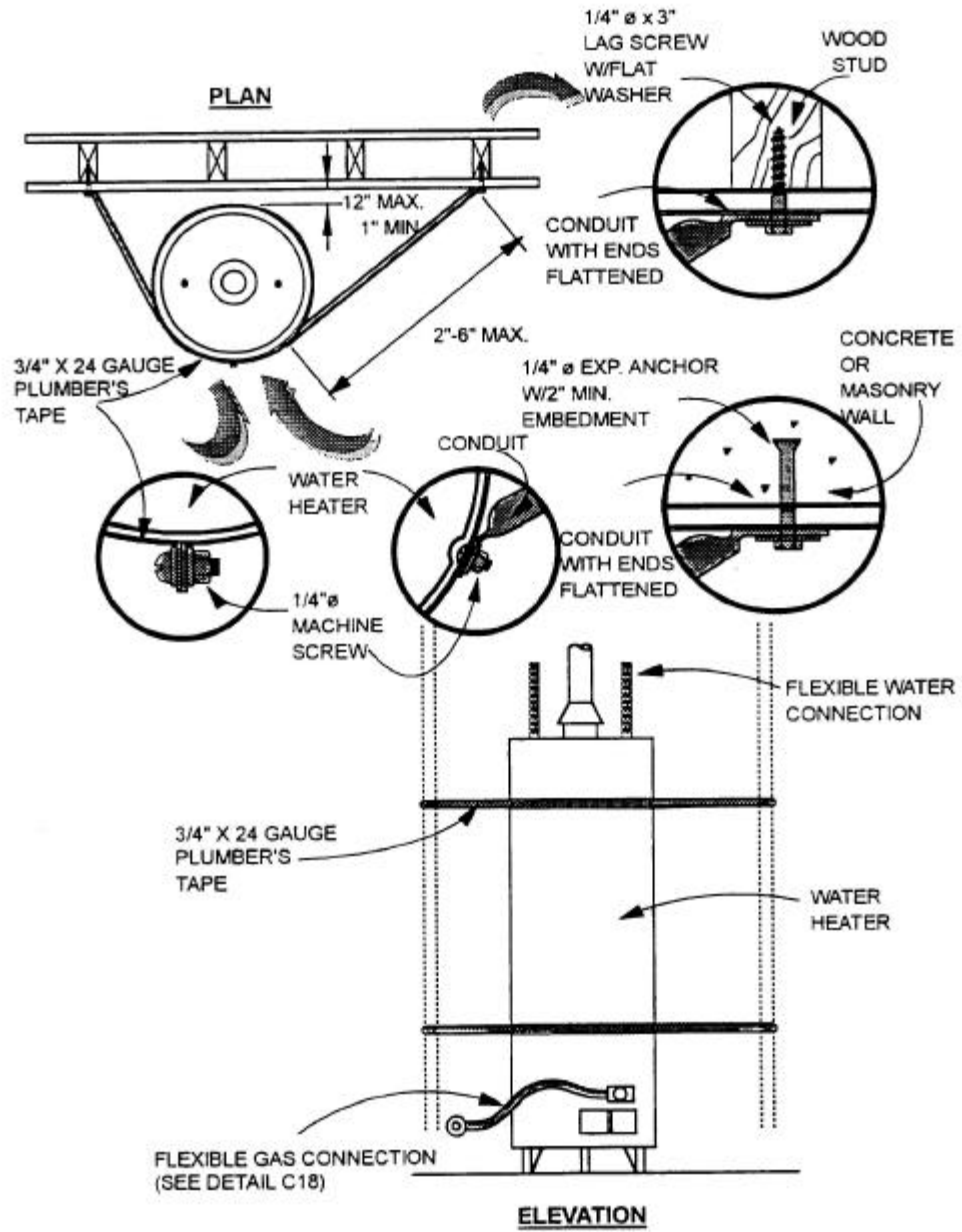


**Appendix F**

**WATER HEATER  
BRACING ILLUSTRATIONS**



**FLAT WALL BRACING**





## CORNER BRACING

